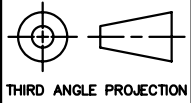


**QUICK & DISCOUNTED PRICING**  
**CLICK HERE**  
**OR CALL (908) 362-9981**

DO NOT SCALE DRAWING



DEFINED PORE SIZES		
P/N	RETENTION (MICRON)	
63087	0.001"	25
63088	0.0015"	38
63077	0.002"	50
63060	0.003"	75
63061	0.004"	100
63062	0.006"	150
63063	0.009"	230
63064	0.015"	380
63065	0.024"	610
63066	0.030"	760
63067	0.045"	1140

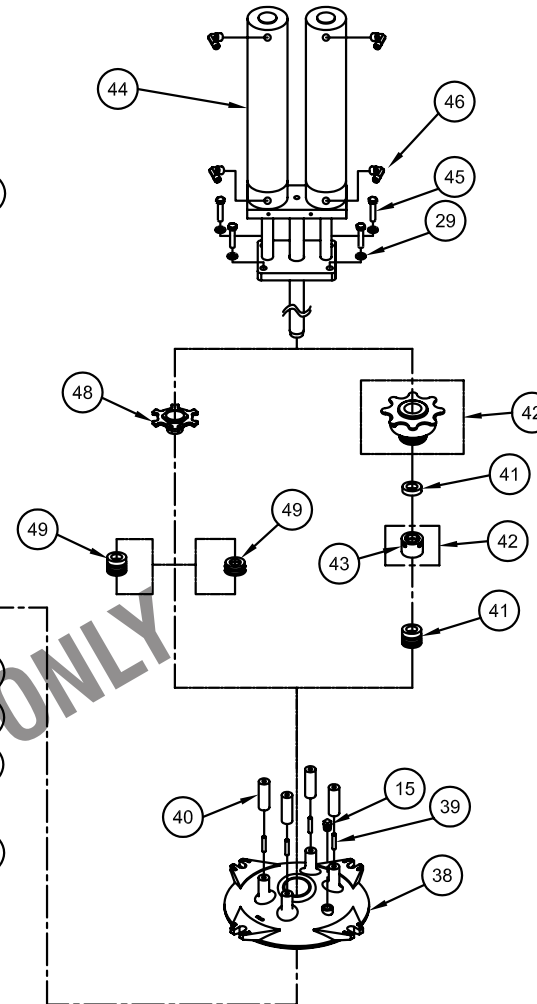
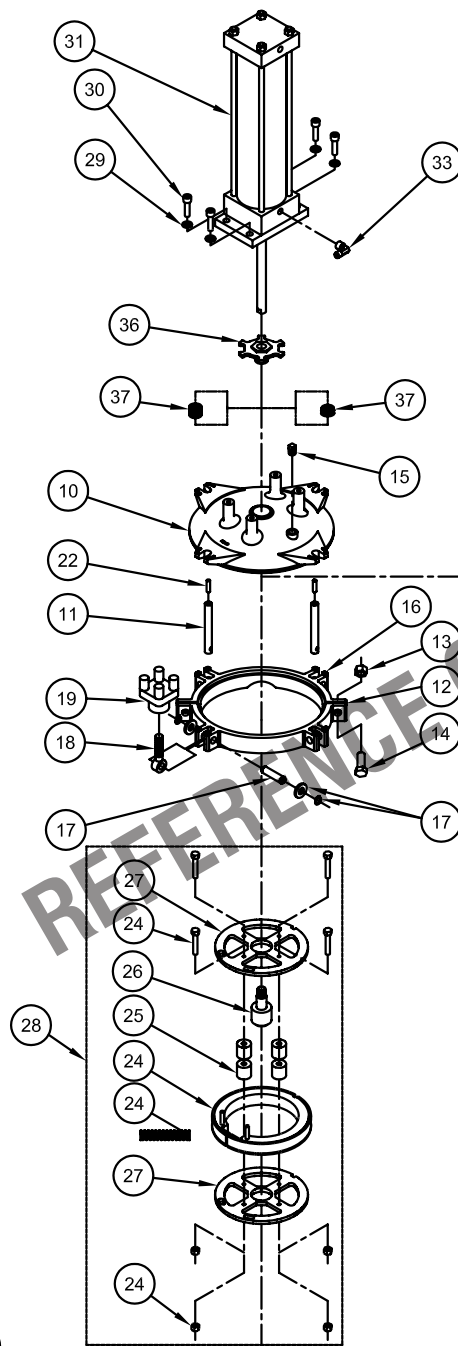
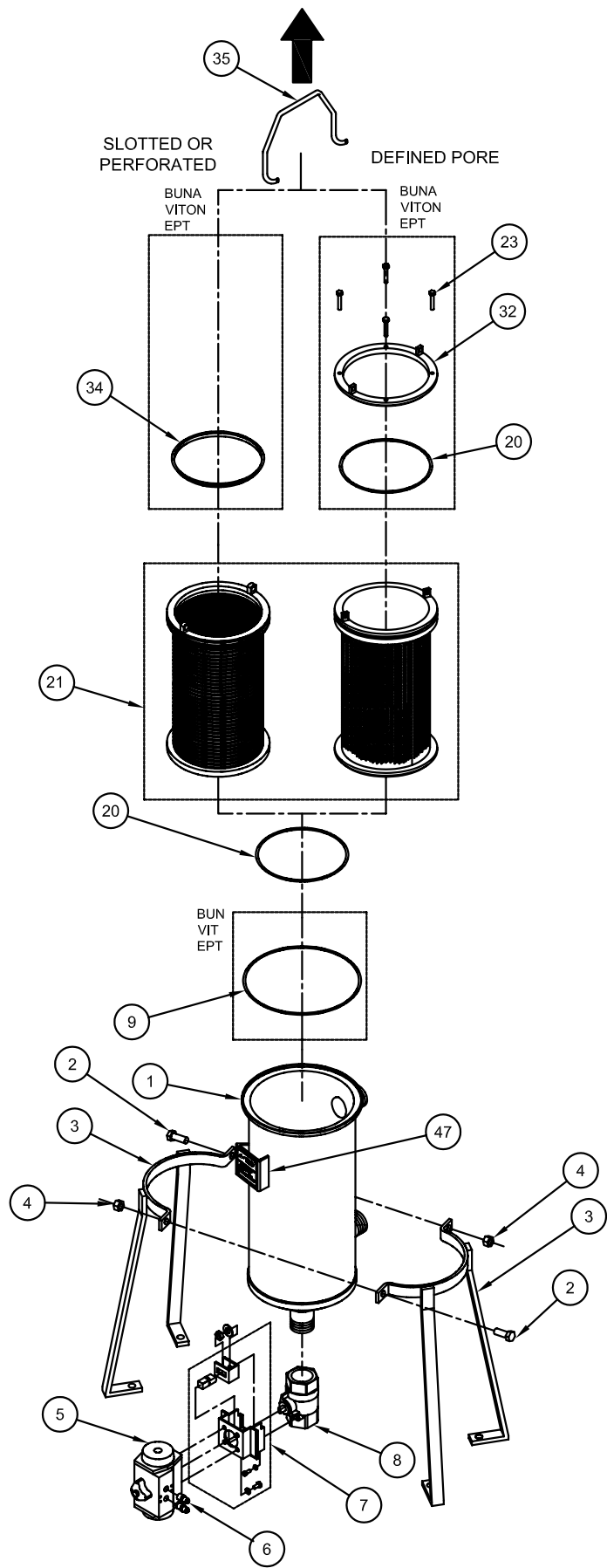
BUN, VIT, EPT		
SLOTTED ELEMENT SIZES		
P/N	RETENTION (MICRON)	
45771	0.0006"	15
45772	0.001"	25
40667	0.0015"	38
45773	0.002"	50
45774	0.003"	75
45775	0.004"	100
45776	0.006"	150
45779	0.007"	175
45789	0.008"	200
45777	0.009"	230
46261	0.015"	380
47339	0.024"	610
45778	0.030"	750
45780	0.045"	1125

PERFORATED ELEMENT SIZES		
P/N	RETENTION (MICRON)	
42662	0.062"	1550
42670	0.125"	3125
42663	0.250"	6250

O-RINGS		SEALS	
MAT'L	LID (#9)	ELEMENT (#20)	ELEMENT (#34)
BUN	45801	45691	45695
VIT	45802	45692	45696
EPT	45803	45693	45697
TFE	*N/A	*N/A	*N/A

CLEANING DISC		
MAT'L	ASSY (#28)	REP. KIT (#24)
UHMWPE	46741	46744
TFE	46742	46680
KYNAR	46743	46681
URETHANE	46608	40706

- NOTES:
- ITEM #28 CONTAINS ITEMS 24-27.
  - ITEM #24 CONTAINS
    - (1) CLEANING DISC
    - (1) SPRING
    - (4) SCREWS
    - (4) NUTS
  - REPAIR KIT FOR #31 - 46724 (VITON) #5 - 45663



DWG REF	QTY	PART NUMBER	PART DESCRIPTION	DWG REF	QTY	PART NUMBER	PART DESCRIPTION
	2	45490	PACKING, VIT Z 1" X 1-1/2"	9	1	SEE CHART	O-RING, LID DCF-800
49	1	42919	PKG,TFL "V" DCF-1600 W/INSTR.	8	1	45657	VALVE, B 2W 1-1/2" DCF-400/800
	1	42957	KIT, PACKING, URE 1" X 1-1/2"	7	1	45675	KIT, MTG 1-1/2" BV TO ACT
48	1	42904	WHEEL, PACKING DCF-1600 THREAD	6	1	P-20760-BRZ	ADAPTOR, 1/4" NPT X 45 FLARE
47	1	60007	DCF SERIAL TAG BRACKET	5	1	45661	ACTUATOR, R/P 200 LB-IN @ 60PSI
46	4	P-20762-BRZ	ELBOW, 1/4 NPT 45 FL 90 DEG	4	2	P-10859-CST	NUT, 1/2-13 X 5/16 THK HEX JAM
45	4	42848	SCREW, 5/16-18 X 1 1/4 HX HD	3	2	P-30672-CST	LEG ASSY, HALF
44	1	47569	DUAL, RETRO ASSY DCF-800-T 316	2	2	P-43853-CST	SCREW, 1/2-13 X 1-1/2 HEX HD
		47568	DUAL, RETRO ASSY DCF-800-T ALU	1	1	46811	BODY ASSY, DCF-800 W/2" I/O

43	1	47455	RING, LANTERN DCF-1600 2-PC FS
42	1	47459	FLUIDSEAL ASSY, DCF-1600 2-PC
41	1	45407	SEAL KIT, TEFLON FOR FLUIDSEAL
	1	45406	PACKING / URETHANE FLUIDSEAL
40	4	47560	EXTENSION, LID/ACTUATOR 5/16-18
39	4	47180	SCREW, 5/16-18 X 1 SOCKET S6
38	1	47559	LID, DCF-800 TWIN W/1600 SLUG
	2	45491	PACKING, VIT Z 5/8" X 1"
37	1	42957	KIT, PACKING, URE 5/8" X 1"
	1	42956	KIT, PACKING, TFE V 5/8" X 1"
36	1	42903	WHEEL, PACKING DCF-800 THREAD
35	1	46217	PULLER, ELEMENT DCF-800
34	1	SEE CHART	ELEMENT SEAL/O-RING
33	2	P-20763-BRZ	ELBOW, 3/8 NPT 45 FLARE 90 DEG
32	1	63068	RING, COMP ASSY DCF-800
31	1	46690	ACTUATOR, 3-1/4X11-1/2 ST VITON
30	4	P-10771-SS6	SCREW, 5/16-18X1" HEX HD CAP
29	4	P-10807-SS4	WASHER, 5/16" FLAT
28	1	SEE CHARTS	CLEANING DISC, ASSY DCF-800
27	2	45539	PLATE, CLEANING DISC, DCF-800
26	1	42925	ADAPTOR, DISC DCF-4/800 L2/3
25	4	45542	SPACER, DCF-800 DOCTOR SS
24	1	SEE CHARTS	KIT, DISC, REPAIR, DCF-800
23	4	63078	SCREW, 10-32 1/4 X 1 SLIDR SOC
22	2	45925	SCREW, 5/16-18 X 3/4 SOCKET S6
21	1	SEE CHART	ELEMENT, DCF-800
20	2	SEE CHART	O-RING, ELEMENT, DCF-800
19	4	AM-30129-SS4	NUT, FB FLTR
18	4	45558	EYEBOLT, 1/2" DCF-400/800 LID
			PIN, EYEBOLT 1/2"
17	4	45994	RING, RETAINER 3100-50-SS2
			WASHER, 1/2" FLAT TYPE A SER N
16	1	46807	CLAMP, 8" BOTTOM W/ RAD
15	1	P-10339-SS6	PLUG, PIPE 1/4"
14	2	P-30848-SS4	SCREW, 1/2-13X1-1/4 HEX HD CAP
13	2	45592	NUT, 1/2-13 FLEX-LOC
12	1	PL-43999-CST	CLAMP, 8" BOTTOM, 2-EAR, ZINC
11	2	45652	COMPRESSOR BAR, DCF-800
10	1	42910	LID, MACHINED DCF-800 "V"

**EATON** EATON FILTRATION, LLC  
 RONNINGEN-PETTER PRODUCTS  
 9151 SHAVER ROAD  
 PORTAGE, MICHIGAN 49024-6798 USA

THIS DRAWING AND ALL INFORMATION THEREON IS THE PROPERTY OF EATON CORPORATION. IT IS CONFIDENTIAL AND MUST NOT BE MADE PUBLIC. THIS DRAWING IS LOANED SUBJECT TO RETURN ON DEMAND, AND IS NOT TO BE USED DIRECTLY OR INDIRECTLY, IN ANY WAY DETRIMENTAL TO THE INTERESTS OF EATON FILTRATION, LLC.

ENGINEERING APPROVAL	DRAWN BY B. STUCK	TITLE DCF-800 SINGLE FILTER SPARE PARTS			
SALES/MKTG APPROVAL	SCALE NONE	DATE 02/09/06	SIZE B	DWG FILENAME DCF-800-XXX-PA001	REV A
	ENGINEERING SPECIFICATION				