

QUICK & DISCOUNTED PRICING
CLICK HERE
 OR CALL (908) 362-9981

DEFINED PORE SIZES		
P/N	RETENTION (MICRON)	
63089	0.001"	25
63090	0.0015"	38
63076	0.002"	50
63048	0.003"	75
63049	0.004"	100
63050	0.006"	150
63051	0.009"	230
63052	0.015"	380
63053	0.024"	610
63054	0.030"	760
63055	0.045"	1140

NON-STOCK ITEMS:
 ALLOW 6-8 WEEKS
 FOR DELIVERY.

SLOTTED ELEMENT SIZES		
P/N	RETENTION (MICRON)	
42631	0.0006"	15
42632	0.001"	25
40668	0.0015"	38
42633	0.002"	50
42634	0.003"	75
42635	0.004"	100
42636	0.006"	150
47332	0.007"	175
42652	0.008"	200
42637	0.009"	230
42638	0.015"	380
47341	0.024"	610
42653	0.030"	750
47331	0.045"	1125

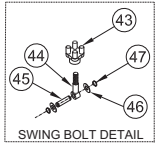
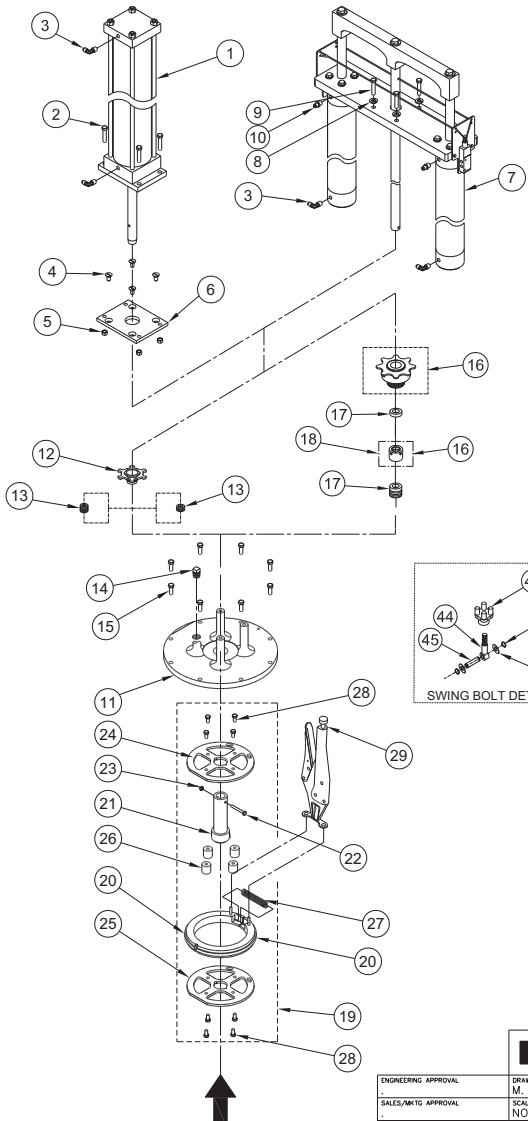
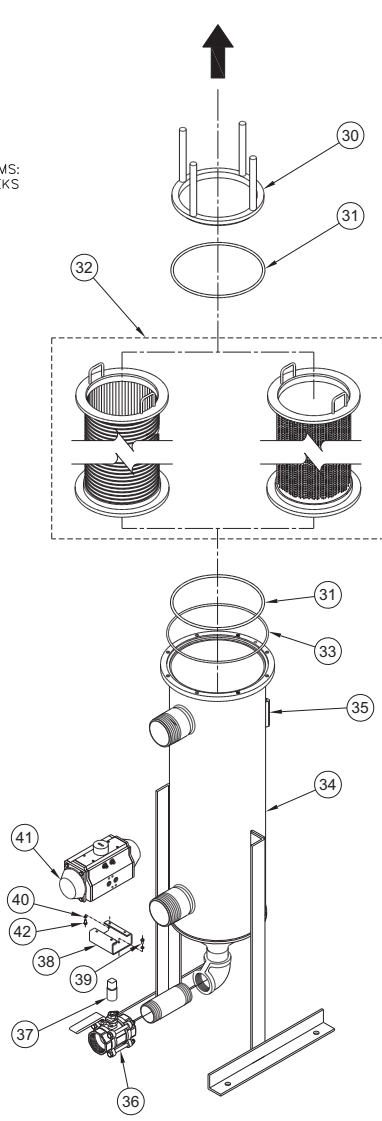
PERFORATED ELEMENT SIZES		
P/N	RETENTION (MICRON)	
42650	0.062"	1550
47330	0.125"	3125
42661	0.250"	6250

CLEANING DISC (WIDE EDGE)		
MAT'L	ASSY (#19)	REP. KIT (#20)
UHMWPE	40632	31338
KYNAR	40633	47307
TEFLON	40634	47308
NYLON	47141	40712
URETHANE	40703	40707
TEF / SOFT	45483	

O-RINGS		
MAT'L	LID ITEM (#33)	ELEMENT ITEM (#31)
VITON	42622	42626
TEFLON	42624	42628
EPT	42623	42627
BUN	42621	42625
*NIT	45421	45422

* WHITE, FDA APPROVED FOOD GRADE.

- NOTES:
 1. ITEM #19 CONTAINS ITEMS 20, 21 & 24-28.
 2. ITEM #20 CONTAINS:
 (1) SPRING
 (8) SCREWS
 (1) LOAD TOOL



SWING-BOLT DESIGN

FLUIDSEAL OPTION

47	2	P-30210-SS2	RETAINER RING, 3100-50-SS2
46	2	P-40136-CST	WASHER, 1/2" FLAT TYP A SER
45	1	P-14301-SS4	PIN, CLEVIS MULTIPLEX LINKAGE
44	1	P-30223-SS4	PIN, EYEBOLT FB SE
43	1	AM-30129-SS4	NUT, FB FILTER
42	4	P-42312	SCREW, MB X 1.25 X 16MM LONG
41	1	45475	ACT. ROTARY, JAMESBURY DCF
40	7	P-20669-SS4	*WASHER, 5/16" HEAVY SPLT LOC
39	3	P-10767-SS6	*SCREW, 5/16-18X5/8 HEX HD CAP
38	1	47420	BRKT, ACT 2"FULL PT PARKER BV
37	1	47421	ADAPTER, ROTARY ACT. TO 2" BV
36	1	41009	VALVE_B 2" F/PT 3PC THD PARKER
35	1	60007	BRKT, TAG DCF SERIAL
34	1	40612	BODY ASSY, 180 DEC 1/0
		40611	BODY ASSY, SAME SIDE 1/0
33	1	SEE CHART	O-RING, LID DCF-1600
32	1	SEE CHART	FILTER ELEMENT, DCF-1600
31	2	SEE CHART	O-RING, ELEMENT DCF-1600
30	1	40626	COMPRESSOR ASSY DCF-1600 316SS
29	1	31328	PLIERS, ASSY DCF DISC LOAD TOOL
28	8	P-10767-SS6	*SCREW, 5/16-18X5/8 HYX HD CAP
		P-31307	SPRING, DOCTOR ASSY MECHANICAL
27	1	47011	SPRING, MECH DOCTOR MECHANICAL
26	4	P-31308	SPACER, DOCTOR ASSY MECHANICAL
25	1	P-31304	PLATE, DOCTOR MECH BOTTOM
24	1	P-31303	PLATE, DOCTOR MECH TOP RAW
23	1	P-41289-SS6	*NUT, 1/4-20 SELF LOCKING DCF
22	1	P-30886-SS6	*SCREW, 1/4-20 X 2 HEX HD CAP
21	1	40629	ADAPTER, DISC/ROD DCF-1600 316
20	1	SEE CHART	KIT, REPAIR DCF-1600 DISC ASSY
19	1	SEE CHART	DISC ASSEMBLY, DCF-1600
18	1	47455	RING, LANTERN DCF-1600 2-PC FS
17	1	45407	FLUIDSEAL PACKING / TEFLON
		45406	FLUIDSEAL PACKING / URETHANE
16	1	47459	FLUIDSEAL ASSY, DCF-1600 2-PC
15	8	42630	*SCREW, 7/16-14 X 1-1/4 HEX HD 316
14	1	P-10336-BRZ	PLUG, PIPE 3/4" SO HEAD
		45490	Z-SEAL, VITON 1" X 1-1/2"
13	1	42958	PKG, URF SP DCF-1600 W/INST
		42919	PKG,TEFLON VEE DCF-1600 W/INST
12	1	42904	WHEEL, PACKING DCF-1600 THREAD
11	1	42909	LID, DCF-1600 "Y" MACH 316L SS
10	2	P-21713-BRZ	ADAPTER, 3/8 NPT X 45 FLARE
9	4	47510	SCREW, 3/8-16X1-1/2 HEX HD 316
8	4	P-35127-SS6	*WASHER, LOCKING 3/8"
7	1	47520	DUAL, RETRO ASSY DCF-1600 SS6
		47501	DUAL, RETRO ASSY DCF-1600 ALU
6	1	46405	PLATE, MTC 4" ACT DCF-1600
5	4	P-10694-SS4	*NUT, 3/8-16 LOCKING W/NYL INS
4	4	46412	*SCREW, 3/8-16X3/4 FLTHD SLTCA
3	2	P-20763-BRZ	ELBOW, 3/8 NPT X 45 FLARE 90DEG
2	4	47510	SCREW, 3/8-16X1-1/2 HEX HD 316
1	1	40652	ACTUATOR, 4" X 24-3/8" ST VIT



FAT-ON FILTRATION, LLC
 1918 SHAWNEE ROAD
 PORTAGE, MICHIGAN 49824-6798 USA

NO WARRANTY OR REPRESENTATION IS MADE BY FAT-ON FOR THE USE OF ANY OF OUR PRODUCTS IN ANY APPLICATION OR FOR THE RESULTS THEREOF. THE USER SHALL BE RESPONSIBLE FOR THE PROPER USE OF OUR PRODUCTS.

ENGINEERING APPROVAL	SCALE	DATE	SIZE	DWG FILENAME	REV
SALES/MKTG APPROVAL	NONE	05/24/05	D	DCF-1600-X-PA002	
ENGINEERING INSPECTION					

REPLACEMENT PARTS
 DCF-1600 / 1600 TWIN